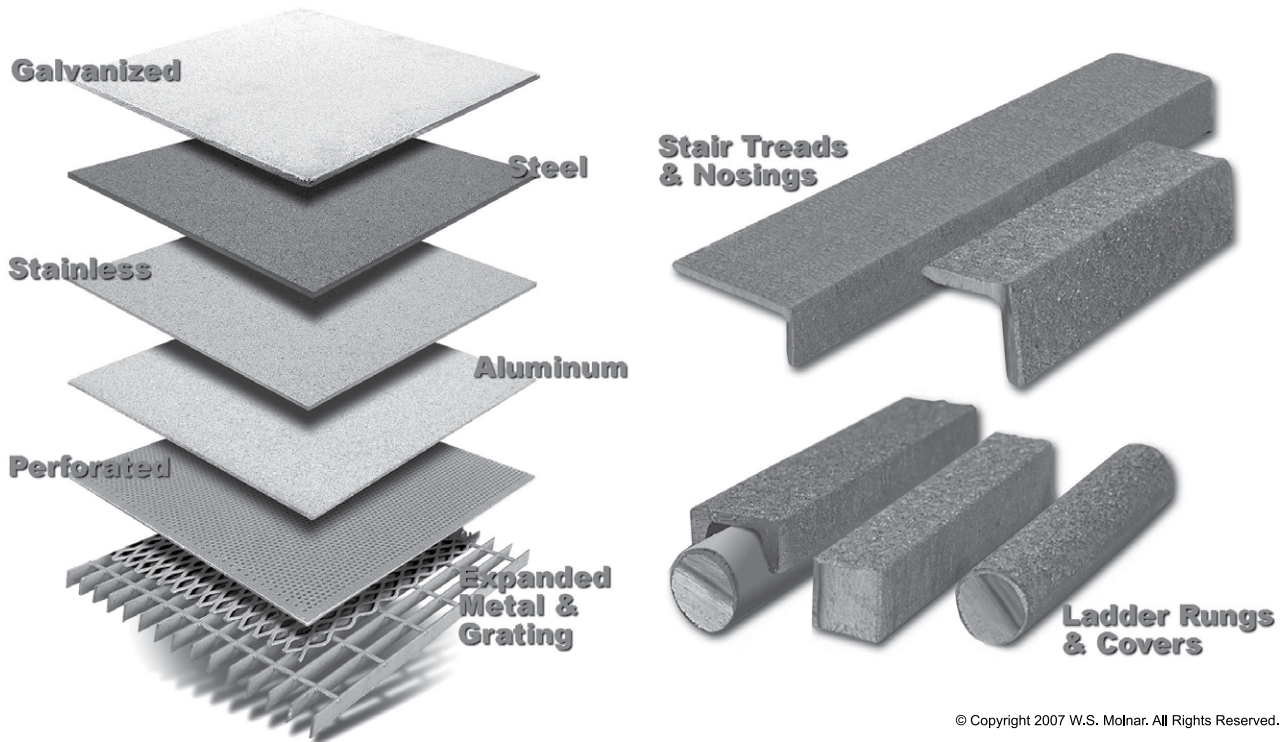


SLIPNOT® SAFETY FLOORING

SlipNOT® Metal Safety Flooring manufactures slip resistant metal flooring products. Products range from non-slip plates, grating, stair treads, nosings, ladder rungs and covers to handrails, vault covers and drain covers. **SlipNOT®** products are used by a variety of industries including automotive, food processing, commercial, utilities, mining, military and transportation.

- **Advantages:** **SlipNOT®**'s proven durability, superior slip resistance and grit-free surface insures maximum worker safety that outlasts taped on or painted on non-slip products. **SlipNOT®** slip resistant flooring products provide a permanently safe replacement for slippery diamond plate.
- **Availability:** **SlipNOT®** slip resistant plates can be purchased in stock sheets or can be cut to size and custom formed in order to meet specific project requirements.
- **Care:** The most effective cleaning method is with a steam cleaner or power washer. Debris can be removed with a stiff bristle brush. **SlipNOT®** recommends testing any chemical cleaning agent on a sample provided by **SlipNOT®** to verify that it is safe to use on the **SlipNOT®** surface.
- **Durability:** **SlipNOT®** products have a surface hardness of over 55 on the Rockwell "C" scale, and have over 4000 psi bond strength.
- **Fabrication:** Plates can be sheared, welded, flame cut, torch cut, laser or water-jet cut, plasma cut, countersunk, drilled and punched for complete versatility both in the shop and field. When fabricating or working with our product it can be treated like any other metal plate or grating.
- **Other options:** Retrofitting **SlipNOT®** plate over existing slippery grating instantly creates a safe, slip resistant walkway.
- **Slip Resistant Standards:** **SlipNOT®** slip resistant products exceed all requirements for coefficient of friction specified by ANSI, ASTM, ADA, NFPA, and OSHA. **SlipNOT®**'s coefficient of friction is greater than or equal to .85. **SlipNOT®** products are also U.L. approved and NSF registered.



© Copyright 2007 W.S. Molnar. All Rights Reserved.